

VN-Winder HT



Axial fans for smoke exhaust

The information below covers the standard range. The possibilities are extensive and besides the diameter of the impeller and speed, also the fan can be configured by different types of impellers, the angle of the impeller and the motor power.

If you are looking for a fan with a specific working point, please don't hesitate to contact us by phone +31 (0)416 391999 or email info@ventinet.nl and we will select the right fan for you.

Sizes	300 up to 1.600 mm
Motor (standard)	HT motor IP55, 230/1/50 or 400/3/50
Capacity	up to 190.000 m ³ /hr
Pressure	up to 1.450 Pa
Control	Frequency converter
Casing	Steel galvanized
Impeller	Aluminum (special high performance geometry)
Extra	Suitable for high temperatures up to 200°C , 300°C of 400°C for 120 minutes (F200, F300 of F400). The fans are suitable for smoke exhaust and are certificated following EN 12101-3:2015.
Atex	 Gas : zone 1 II2G and 2 II3G Dust on request: zone 21 II2D and 22 II3D
Accessories	Inlet cone / Silencers / Protection grid / Shutters / Inspection window / Flexible connections / Anti-vibration mounts / Support feet / Flanges / Switches/ Terminal box / Frequency converters

2 pole (3.000 rpm.) – 400/3/50

Model	Capacity max. (m ³ /h)	100 Pa m ³ /h	200 Pa m ³ /h	400 Pa m ³ /h	Pressure max. (Pa static)	Motor (kW)	In max. (A)
312/A T	4.010	3.550	2.800	-	260	0,75	1,57
312/B T	4.500	4.200	3.500	-	250	1,1	2,32
352/A T	3.500	4.500	3.800	-	340	0,75	1,57
352/B T	7.850	7.400	6.600	-	310	1,5	3,01
402/A T	5.500	5.200	4.800	3.300	450	1,1	2,32
402/D T	11.700	11.100	10.300	7.900	460	3	6
452/A T	7.485	7.100	6.700	5.500	600	1,1	2,32
452/D T	15.650	15.000	14.000	11.800	560	4	7,5
562/B T	24.600	23.000	22.500	21.000	1.350	5,5	10,6
562/C T	27.970	26.500	26.000	23.000	1.400	7,5	14,2

4 pole (1.500 rpm.) – 400/3/50

Model	Capacity max. (m ³ /h)	200 Pa m ³ /h	400 Pa m ³ /h	600 Pa m ³ /h	Pressure max. (Pa static)	Motor (kW)	In max. (A)
404 T	5.900	-	-	-	110	0,55	1,36
454 T	7.300	-	-	-	140	0,55	1,36
504/A T	7.420	-	-	-	120	0,55	1,36
504/B T	11.830	-	-	-	150	0,75	1,85
564/B T	12.300	7.900	-	-	330	0,75	1,85
564/C T	14.000	9.200	-	-	350	1,1	2,44
634/B T	17.100	12.000	-	-	350	1,1	2,44
634/C T	18.700	13.500	-	-	340	1,5	3,29
714/B T	19.550	13.000	5.500	-	460	1,5	3,29
714/C T	23.720	18.000	-	-	300	2,2	4,64
804/B T	33.950	28.500	14.500	-	470	4	7,69
804/C T	37.220	32.500	23.500	-	460	5,5	10,6
904/B T	42.210	36.100	24.000	14.400	710	5,5	10,6
904/C T	49.200	42.900	32.800	18.600	735	7,5	14,2
1004/B T	62.600	56.000	48.000	34.000	910	11	21,5
1004/C T	75.500	69.800	62.000	49.500	900	15	29,0
1254/B T	110.950	103.000	91.500	77.000	1000	22	41,7
1254/C T	129.270	121.900	112.400	100.000	920	30	54,8
1254/D T	134.450	129.100	119.600	107.300	920	37	66,8
1254/E T	152.000	145.100	139.000	129.100	850	45	79,9
1404/A T	130.000	120.000	110.000	95.000	860	30	54,8
1404/B T	181.620	170.100	162.500	153.000	920	55	78,8
1404/C T	188.885	177.000	168.800	160.100	920	75	129,1

6 pole (1.000 rpm.) – 400/3/50

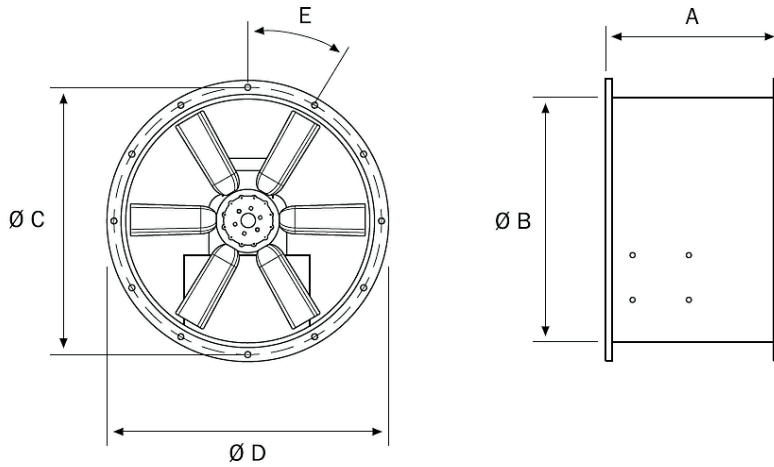
Model	Capacity max. (m ³ /h)	100 Pa m ³ /h	200 Pa m ³ /h	400 Pa m ³ /h	Pressure max. (Pa static)	Motor (kW)	In max. (A)
506 T	6.500	-	-	-	80	0,55	1,61
566/B T	8.120	4.600	-	-	150	0,25	0,70
566/C T	9.230	5.500	-	-	160	0,37	1,11
636/B T	11.600	7.100	-	-	160	0,37	1,11
636/C T	12.385	8.400	-	-	150	0,55	1,36
716/B T	12.900	8.000	2.500	-	200	1,5	3,29
716/C T	15.650	11.250	-	-	135	0,75	1,85
806/B T	23.560	19.000	8.000	-	210	1,5	3,29
806/C T	27.290	23.000	14.000	-	200	2,2	4,64
906/B T	27.860	23.000	14.000	-	310	1,5	3,29
906/C T	32.465	27.500	19.800	-	330	2,2	4,64
1006/B T	41.320	36.000	30.000	-	390	3	6,47
1006/C T	45.960	41.000	35.000	18.000	480	4	7,69
1006/D T	49.830	45.000	40.000	-	390	5,5	10,6
1256/A T	61.115	57.000	48.000	25.000	480	5,5	10,6
1256/B T	73.210	69.000	58.000	35.000	600	7,5	14,2
1256/C T	85.320	81.000	72.000	50.000	610	11	21,5
1406/A T	86.730	80.000	70.000	48.000	600	11	21,5
1406/B T	121.100	115.000	108.000	86.000	790	18,5	35,7
1406/C T	125.920	120.000	112.000	93.000	880	22	41,7
1606/A T	129.530	120.000	112.500	88.000	780	18,5	35,7
1606/B T	155.170	147.000	135.000	114.000	1000	22	41,7
1606/C T	180.830	171.000	165.000	140.000	1000	30	54,8

8 pole (750 rpm.) – 400/3/50

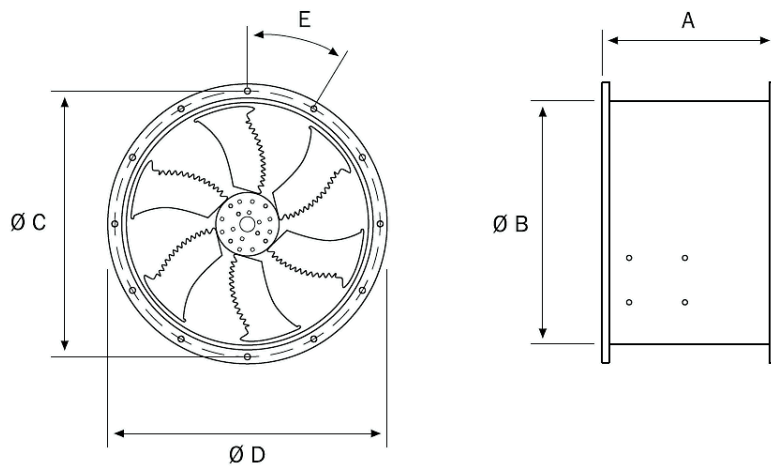
Model	Capacity max. (m ³ /h)	100 Pa m ³ /h	200 Pa m ³ /h	400 Pa m ³ /h	Pressure max. (Pa static)	Motor (kW)	In max. (A)
On request							

[Types and changes reserved]

Indication dimensions VN-Winder HT



	A	Ø B	Ø C	Ø D	E
315	320	315	355	385	13x45
355	320	355	395	436	13x45
400	320	410	451	486	8x45
450	350	460	500	536	8x45
500	400	510	552	588	12x30



	A	Ø B	Ø C	Ø D	E
560	400	565	620	648	12x30
630	400	640	690	720	12x30
710	500	720	770	800	12x30
800	600	807	860	900	16x22,5
900	700	910	970	1010	16x22,5
1000	700	1010	1070	1110	16x22,5
1250	900	1265	1315	1355	16x22,5
1400	900	1400	1470	1530	16x22,5
1600	900	1600	1680	1740	24x15